

Model number: ACE 6/1, 10/1, 10/3, 13.2/1, 20/1, 20/3

Description: Overhead / suspended fan heaters

activair
Moving air since 1927

www.tombling.com

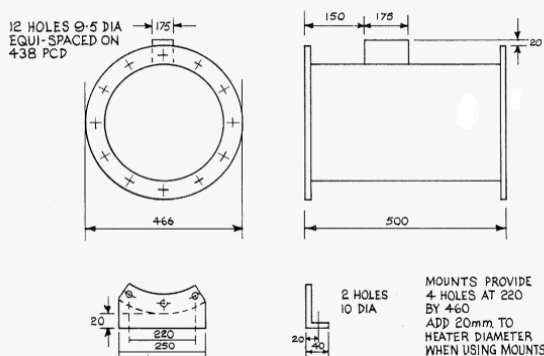
FEATURES:

- Overhead fan heaters
- 6kW, 10kW, 13.2kW, 20kW
- 230V single phase and 400V 3 phase
- Overheat cut-out with automatic reset
- Free blowing upto 15m (49 ft.)
- Suitable for use with polythene, flexible and metal ducting
- Optional foot/wall mounts available
- Requires external control gear and thermostat.
- 2 year guarantee



Activair heater dimensions

all dimensions in mm



MODEL	6/1	10/1	10/3	13.2/1	20/1	20/3
Element rating (kW)	6	10	10	13.2	20	20
Element voltage (V)	230	230	400	230	230	400
Element phase	1	1	3	1	1	3
Element phase current (A)	25	42	14	55	84	28
Motor rating (W)	250					
Motor F.L.C (A)	1.8					
Motor operating temp. (C)	-20 to 50					
Air volume (m3/hr)	4000					
Temperature rise (C)	4	7	9	14		
Throw (M)	15					
Weight (kg)	25					
IP Rating	44					

Activair Ace electric fan heaters are designed for 400V 3 phase and 230V single phase 50Hz electrical supplies. They are suitable for use in the UK, most of Europe, Eastern Europe and the Middle East, but not the USA.

Our policy is one of continuous improvement and development. Specifications can change at any time. Please contact sales for further information.

W. Tombling Ltd. 8 Broad Street, Spalding, Lincolnshire, PE11 1TB, United Kingdom
Tel. +44 (0) 1775 722948 Fax. +44 (0) 1775 724417 E-mail sales@tombling.com
Visit our website at: www.tombling.com