

Model number: Ace ventilation fan
Description: Ventilation fan - single phase

activair
 Moving air since 1927

www.tombling.com

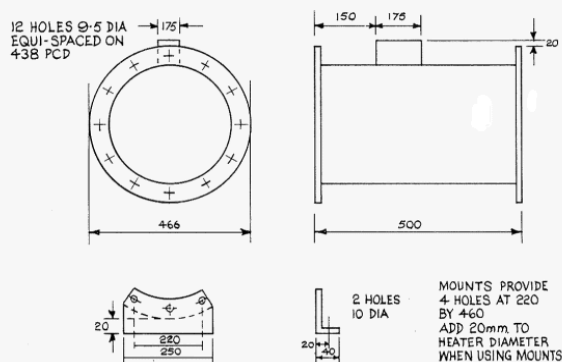
FEATURES:

- 400mm (16in.) diameter fan
- 2862 CFM output
- Free blowing, or ducted operation with flexible, polythene or fabric ducting
- Efficient, reliable, sealed fan motor with integral thermal overload protection
- Suitable for use with speed control - down to 40% of nominal speed
- High performance impeller, for efficient and quiet performance
- Heavy duty metal fan casing and guards
- Floor standing, suspended, duct or wall mounted
- Wide range of accessories - speed controllers, carrying handles, suspension kits, etc.
- 2 year guarantee



MODEL	Ace ventilation fan
Motor rating (w)	250
Motor voltage (V)	230
Motor full load current (A)	1.8
Motor supply frequency (Hz)	50
Motor operating temperature (C)	-20 to 50
Airflow (m3/s)	1.35
Noise (dB)	55
Throw (m)	10
Weight (kg)	22
Case finish	RAL7032 beige
Terminal box IP rating	44

all dimensions in mm



Activair Ace ventilation fans are designed for use with a standard UK 230V single phase 50Hz electrical supply.

They are suitable for use in most of Europe, Eastern Europe and the Middle East. However, please check your electrical supply is compatible before ordering.

Our policy is one of continuous improvement and development. Specifications can change at any time. Please contact sales for further information.

W. Tombling Ltd. 8 Broad Street, Spalding, Lincolnshire, PE11 1TB, United Kingdom
 Tel. +44 (0) 1775 722948 Fax. +44 (0) 1775 724417 E-mail sales@tombling.com
 Visit our website at: www.tombling.com